




ELEGANT
LIGHTING

by MTM



ITEMS CATALOG 2024

Unique global
manufacturer and
leader of lighting

www.elegant-lighting.org



T09



T11



T15



T16



T21-A



T21-B



T21-C



T29



T30



T33



T47



T57



T59



T68



T88



T116



T136



T137

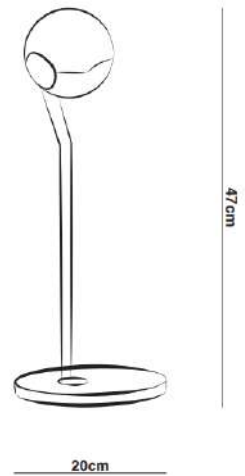


**Electrical
Characteristics:**

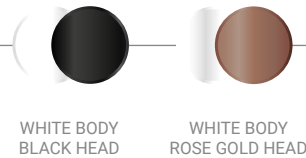
- 💡 LED COB CRI > 80
- ⚡ 160-240V 50/60 Hz
- ⚙️ Power: 10W 3000K
- 🔘 Switch on the cable

Materials:

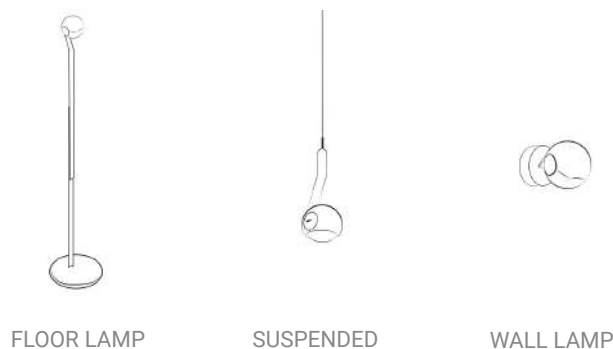
- Shade: Aluminum
- Base: Steel
- Vertical tube: Steel



Certificates:



Product family:



FLOOR LAMP

SUSPENDED

WALL LAMP



**Electrical
Characteristics:**

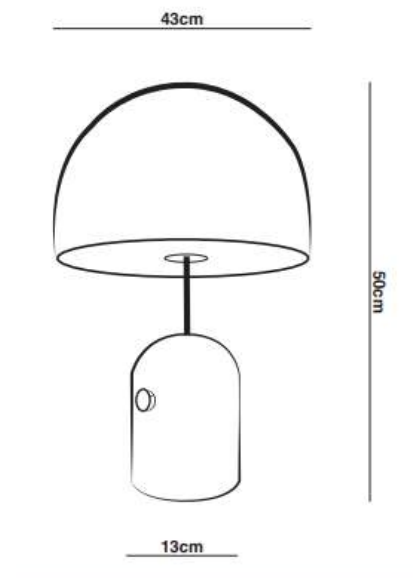
- 💡 1xLED BULB E27
- ⚡ 160-240V 50/60 Hz
- ⚙️ Power: 3000K
- 🕸️ Switch on the body

Certificates:



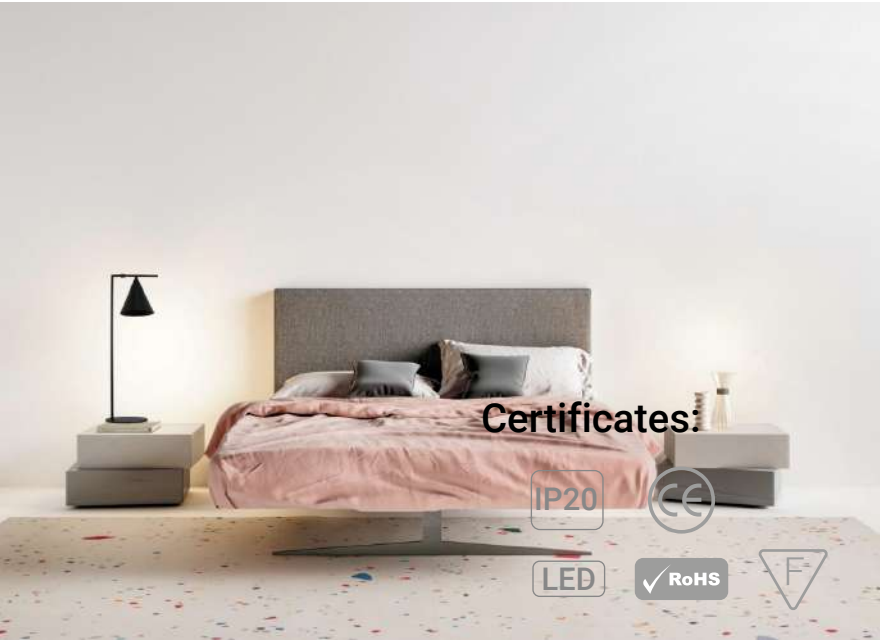
Materials:

- Shade: Stainless steel
- Base: Steel
- Base Cover: Stainless steel
- Vertical tube: Stainless steel



Product family:





**Electrical
Characteristics:**

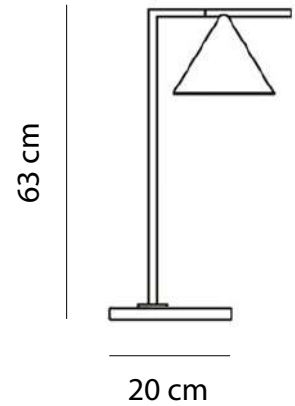
- 💡 1xLED BULB E14
- ⚡ 100-240V 50/60 Hz
- 🕸 Switch on the cable

Certificates:



Materials:

- Shade: Steel
- Base: Steel
- Vertical tube: Steel



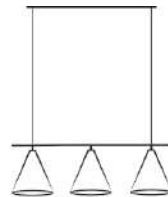
Product family:



FLOOR LAMP



SUSPENDED



SUSPENDED 2



WALL LAMP



Electrical Characteristics:

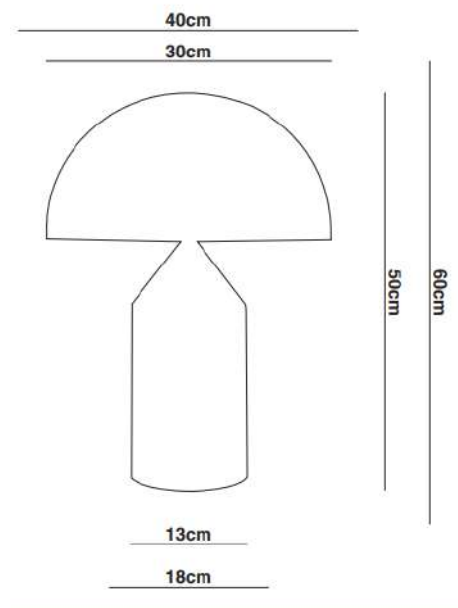
- 💡 LED Bulb
- ⚡ 180-240V 50/60 Hz
- 🔘 Switch on the cable

Materials:

Head: Aluminum

Base: Steel

Vertical tube: Steel



Certificates:

IP20



LED



BLACK/CHROME

GOLDEN BODY
GOLDEN HEAD

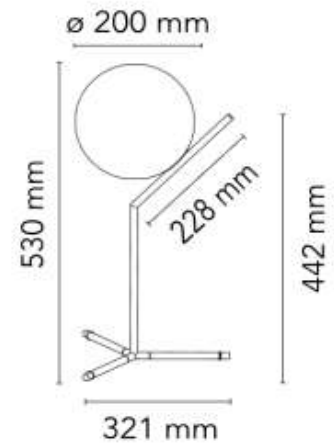


**Electrical
Characteristics:**

- 💡 1xLED BULB E27
- ⚡ 160-240V 50/60 Hz
- 🔌 Switch on the cable

Materials:

- Shade: Glass
- Base: Steel
- Vertical tube: Steel



Certificates:



BLACK BODY
WHITE HEAD

GOLDEN BODY
WHITE HEAD

Product family:



FLOOR LAMP



SUSPENDED



WALL LAMP

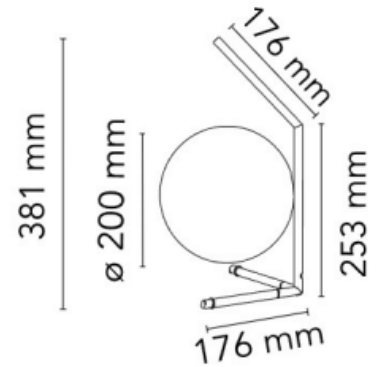


**Electrical
Characteristics:**

- 💡 1xLED BULB E27
- ⚡ 160-240V 50/60 Hz
- 🔌 Switch on the cable

Materials:

- Shade: Glass
- Base: Steel
- Vertical tube: Steel



Certificates:



BLACK BODY
WHITE HEAD

GOLDEN BODY
WHITE HEAD

Product family:



FLOOR LAMP



SUSPENDED



WALL LAMP

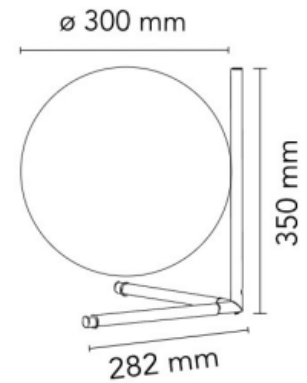


**Electrical
Characteristics:**

- 💡 1xLED BULB E27
- ⚡ 160-240V 50/60 Hz
- 🔌 Switch on the cable

Materials:

- Shade: Glass
- Base: Steel
- Vertical tube: Steel



Certificates:



BLACK BODY
WHITE HEAD

GOLDEN BODY
WHITE HEAD

Product family:



FLOOR LAMP



SUSPENDED



WALL LAMP



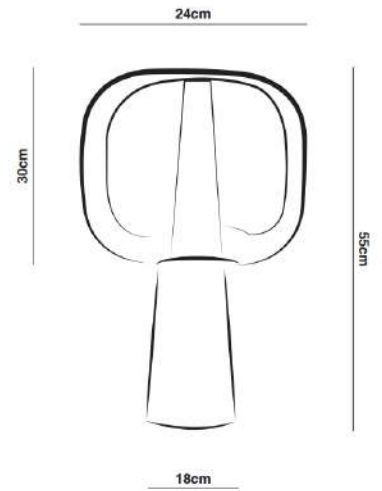
**Electrical
Characteristics:**

- 💡 LED SMD 2835
- ⚡ 180-240V 50/60 Hz
- ⚙️ Power: 10W 1100Lm
3000K
- 🔘 Switch on the cable

Materials:

- Shade: Glass
- Head: Aluminum
- Base: Steel
- Vertical tube: steel

Certificates:



Product family:



FLOOR LAMP



SUSPENDED



Electrical Characteristics:

- 💡 LED SMD 2835
- ⚡ 180-240V 50/60 Hz
- ⚙️ Power: 10W 1100Lm
3000K
- 🔘 Switch on the cable

Materials:

- Shade: Glass
- Head: Aluminum
- Base: Steel
- Base cover: Stainless steel
- Vertical tube: Stainless steel



Certificates:



Product family:



ROSE
GOLD



FLOOR LAMP



SUSPENDED

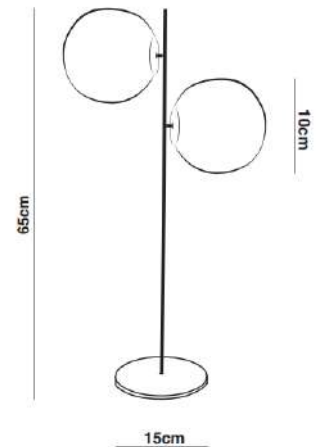


Electrical Characteristics:

- 💡 2xLED Bulb E14
- ⚡ 100-240V 50/60 Hz
- 🔌 Switch on the cable

Materials:

- Shade: Glass
- Base: Steel
- Base cover: Steel
- Vertical tube: Steel



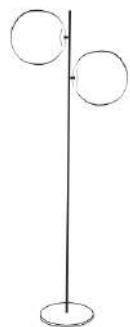
Certificates:



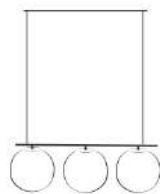
BLACK BODY
WHITE HEAD

GOLDEN BODY
WHITE HEAD

Product family:



FLOOR LAMP



SUSPENDED



WALL LAMP



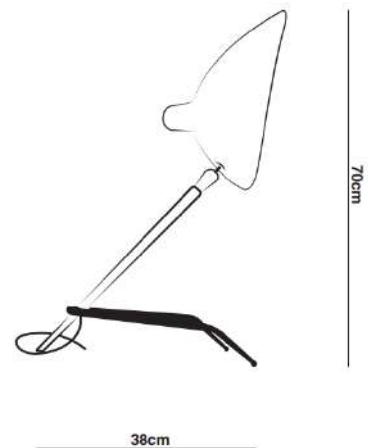
Electrical Characteristics:

- 💡 1xLED BULB E14
- ⚡ 100-240V 50/60 Hz
- 🕸 Switch on the cable

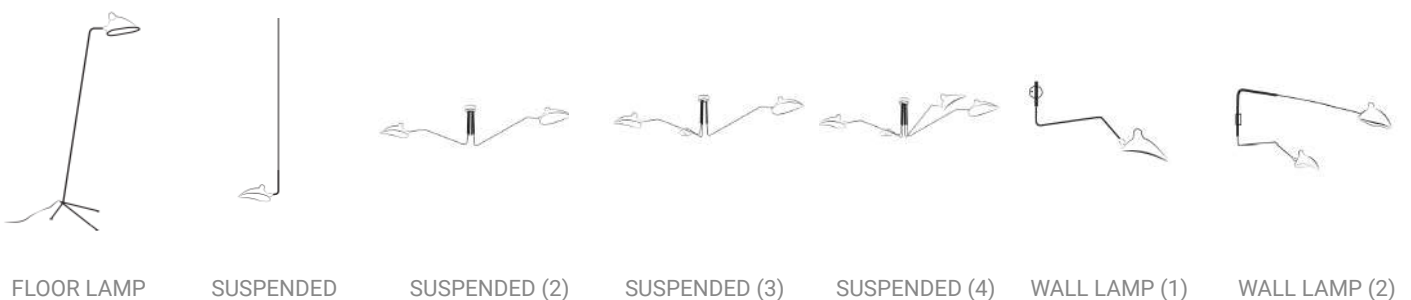
Materials:

- Head: Steel
- Body: Steel

Certificates:



Product family:





Electrical Characteristics:

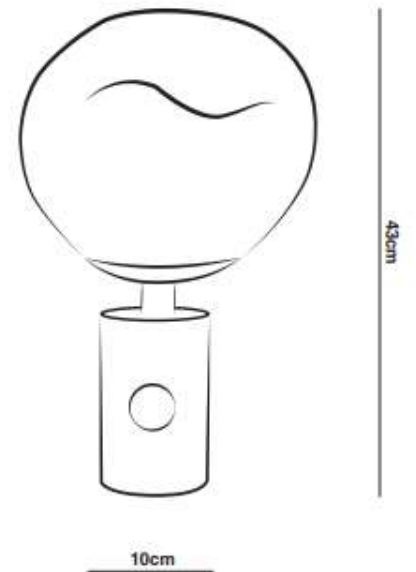
- 💡 1×LED BULB E27
- ⚡ 160-240V 50/60 Hz
- 🔘 Switch on the cable

Materials:

Shade: Aluminum

Base: Steel

Body: Steel



Certificates:

IP20

CE

LED

✓ RoHS

F

ROSE
GOLD



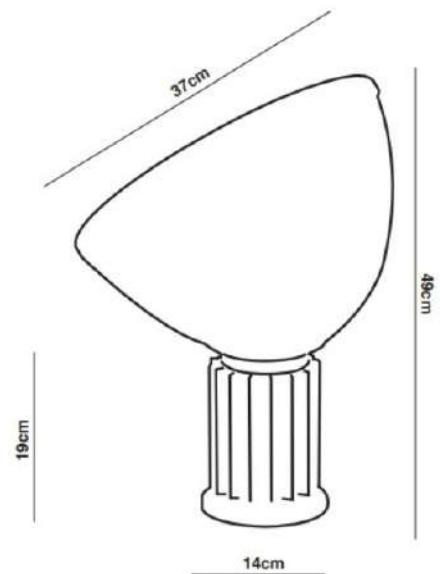
Electrical Characteristics:

- 1x LED BULB E27
- 100-240V 50/60 Hz
- Switch on the cable

Materials:

- Shade: Metal
- Base: Stone

Certificates:



BLACK SHADE
STONE GREY BODY



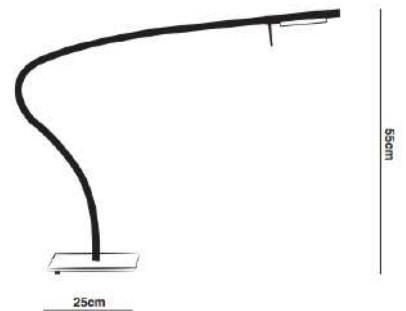
**Electrical
Characteristics:**

- 💡 LED COB CRI > 80
- ⚡ 160-240V 50/60 Hz
- ⚙️ Power: 18W 2100Lm
3000K
- 🔘 Switch on the cable

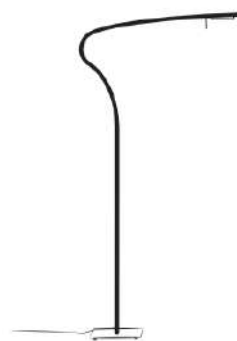
Materials:

- Head: Aluminum
- Base: Steel
- Body: Steel

Certificates:



Product family:



FLOOR LAMP



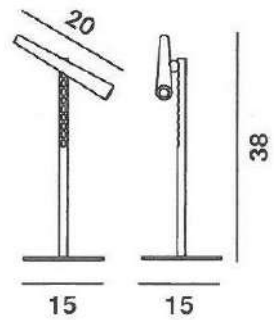
Electrical Characteristics:

- 💡 LED COB CRI > 80
- ⚡ 160-240V 50/60 Hz
- ⚙️ Power: 5W 580Lm
3000K
- 🔘 Switch on the cable

Materials:

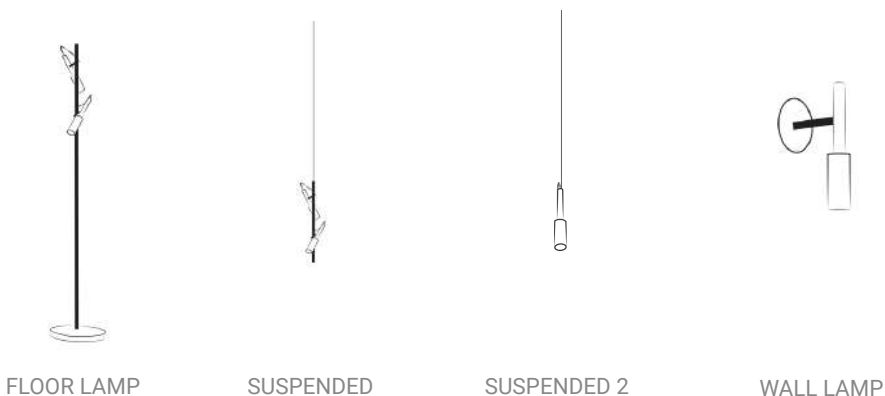
- Shade: Aluminum
- Base: Steel
- Base cover: Aluminum
- Vertical tube: Aluminum

Certificates:



BLACK

Product family:



FLOOR LAMP

SUSPENDED

SUSPENDED 2

WALL LAMP



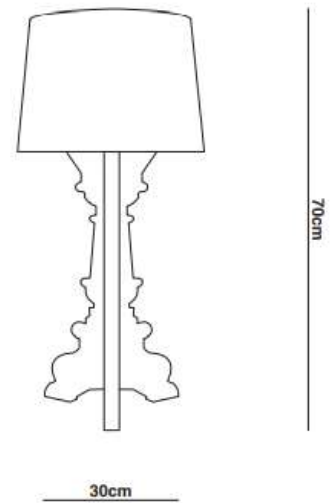
Electrical Characteristics:

- 💡 1×LED BULB E27
- ⚡ 100-240V 50/60 Hz
- 🕸 Switch on the cable

Materials:

- Shade: Acrylic
- Base: Acrylic

Certificates:



TRANSPARENT



**Electrical
Characteristics:**

💡 LED SMD 2835

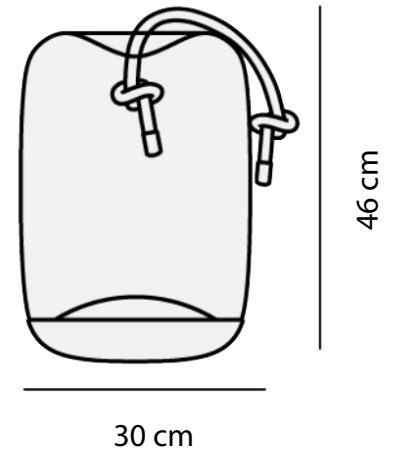
⚡ 180-240V 50/60 Hz

⚙️ Power: 8W

Materials:

Shade: Glass

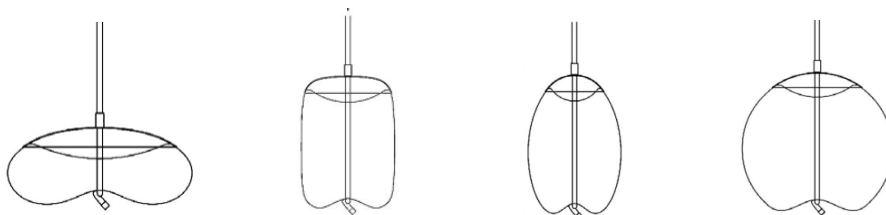
Base: Steel



Certificates:



Product family:



SUSPENDED



Electrical Characteristics:

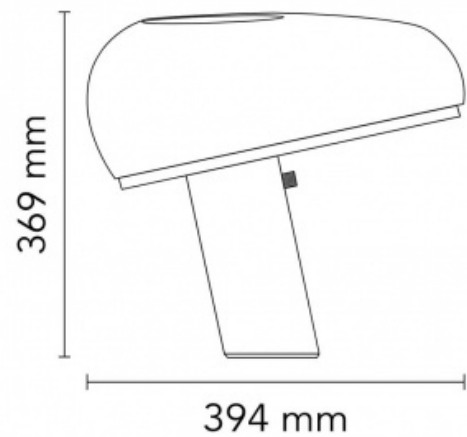
- 1xLED BULB E27
- 180-240V 50/60 Hz
- Power: 8W

Certificates:



Materials:

- Shade: Metal
- Base: Stone



BLACK SHADE
STONE GREY BODY